



PM Type
Motors

Reference Characteristics

Motor Size	PM35L — 024	
Number of Steps per Rotation	24 (15° / Step)	
Drive Method	2 — 2 PHASE	
Drive Circuit	UNIPOLAR CONST. VOLT.	BIPOLAR CHOPPER
Drive Voltage	24 [V]	24 [V]
Current / Phase		500 [mA]
Coil Resistance / Phase	100 [Ω]	12 [Ω]
Drive IC	25C3346	UDN2916B — V
Magnet Material	Ferrite plastic magnet (MSPL)	
	Polar anisotropy ferrite sintered magnet (MS50)	
	Nd-Fe-B bonded magnet (MS70)	
Insulation Resistance	100M [Ω] MIN	
Dielectric Strength	AC 500 [V] 1 [min]	
Class of Insulation	CLASS E (U — except lead wire)	
Operating Temp.	- 10 [°C] ~ 50 [°C]	
Storage Temp.	- 30 [°C] ~ 80 [°C]	
Operating Hum.	20 [%] RH ~ 90 [%] RH	

Applications

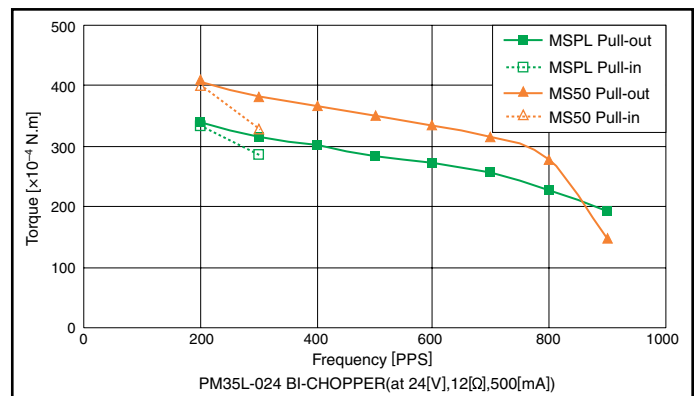
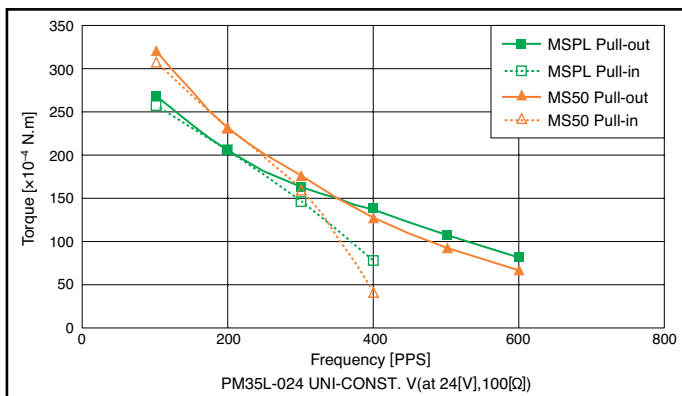
OA Equipment : Printers / Scanners

Industrial equipment : Flow control valves

Automotive : Motors / Optic axis control device

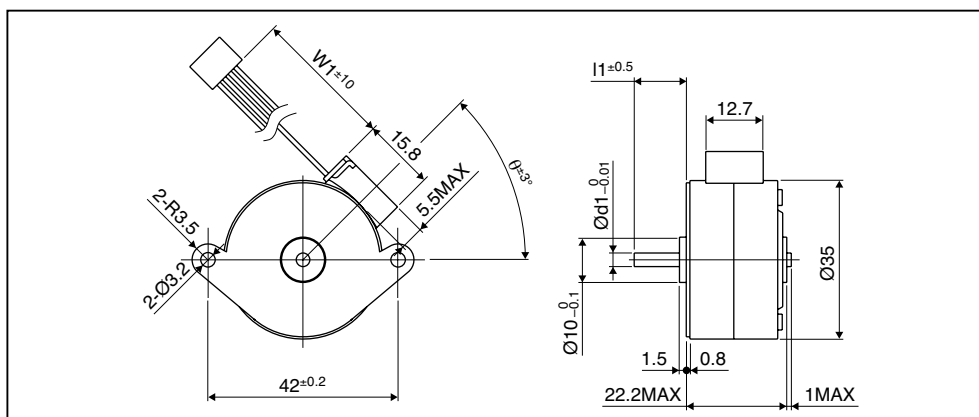
Home automation appliances : Sewing machines

Torque Characteristics



These torque values are reference only. Heat radiation conditions and temperature rise effect by duty are different on each equipment, therefore please select motors after considering the actual equipment.

Dimensions



Please contact our sales for inventory and lot information. Specification may be changed without notice.



PM Type
Motors

Reference Characteristics

Motor Size	PM35S — 024	
Number of Steps per Rotation	24 (15° / Step)	
Drive Method	2 — 2 PHASE	
Drive Circuit	UNIPOLAR CONST. VOLT.	BIPOLAR CHOPPER
Drive Voltage	12 [V]	24 [V]
Current / Phase	500 [mA]	
Coil Resistance / Phase	28 [Ω]	4.7 [Ω]
Drive IC	25C3346	UDN2916B — V
Magnet Material	Polar anisotropy ferrite sintered magnet (MS50)	
	Nd-Fe-B bonded magnet (MS70)	
Insulation Resistance	100M [Ω] MIN	
Dielectric Strength	AC 500 [V] 1 [min]	
Class of Insulation	CLASS E (U — except lead wire)	
Operating Temp.	- 10 [°C] ~ 50 [°C]	
Storage Temp.	- 30 [°C] ~ 80 [°C]	
Operating Hum.	20 [%] RH ~ 90 [%] RH	

Applications

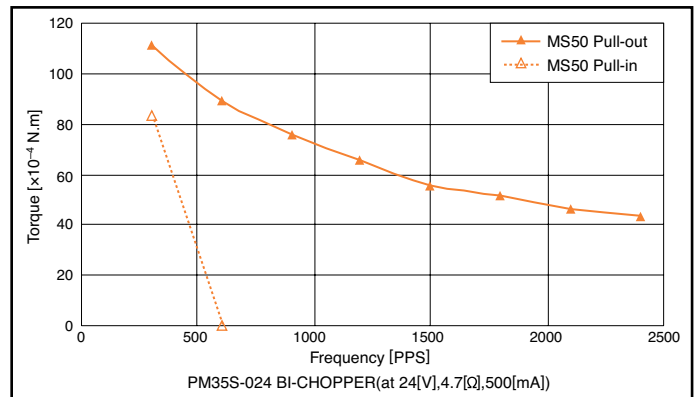
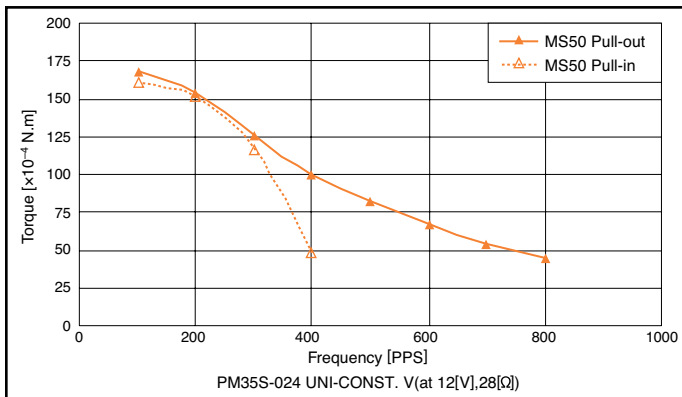
OA Equipment : Printers / Scanners

Industrial equipment : Flow control valves

Automotive : Motors / Optic axis control device

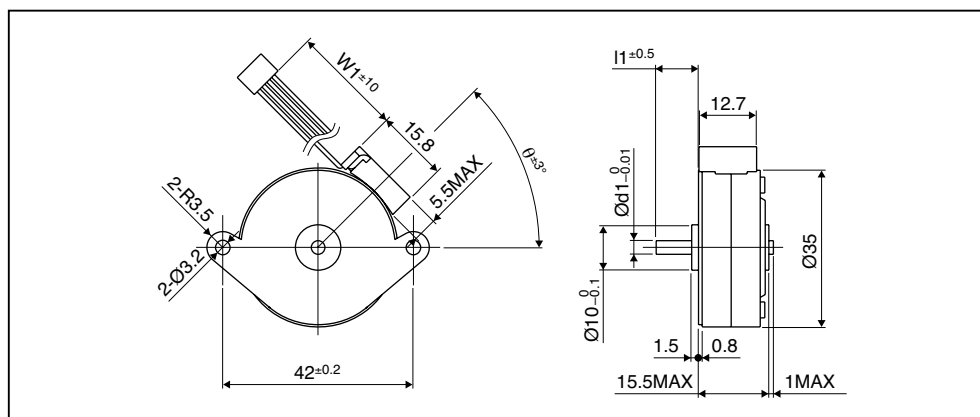
Home automation appliances : Sewing machines

Torque Characteristics



These torque values are reference only. Heat radiation conditions and temperature rise effect by duty are different on each equipment, therefore please select motors after considering the actual equipment.

Dimensions



Please contact our sales for inventory and lot information. Specification may be changed without notice.



PM Type
Motors

Reference Characteristics

Motor Size	PM35L—048	
Number of Steps per Rotation	48 (7.5° / Step)	
Drive Method	2 — 2 PHASE	
Drive Circuit	UNIPOLAR CONST. VOLT.	BIPOLAR CHOPPER
Drive Voltage	24 [V]	24 [V]
Current / Phase	500 [mA]	
Coil Resistance / Phase	30 [Ω]	5.5 [Ω]
Drive IC	25C3346	UDN2916B — V
Magnet Material	Ferrite plastic magnet (MSPL)	
	Polar anisotropy ferrite sintered magnet (MS50)	
	Nd-Fe-B bonded magnet (MS70)	
Insulation Resistance	100M [Ω] MIN	
Dielectric Strength	AC 500 [V] 1 [min]	
Class of Insulation	CLASS E (U — except lead wire)	
Operating Temp.	— 10 [°C] ~ 50 [°C]	
Storage Temp.	— 30 [°C] ~ 80 [°C]	
Operating Hum.	20 [%] RH ~ 90 [%] RH	

Applications

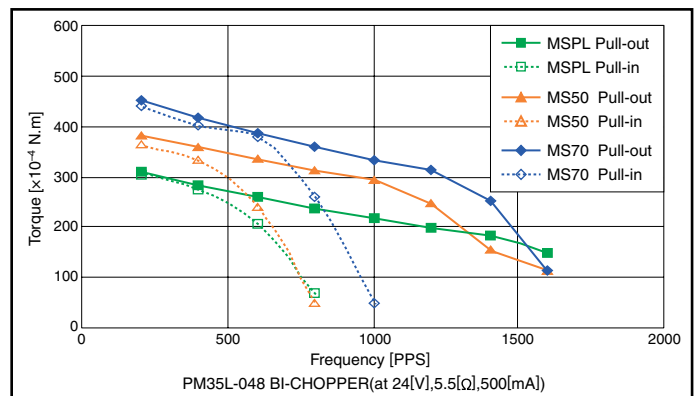
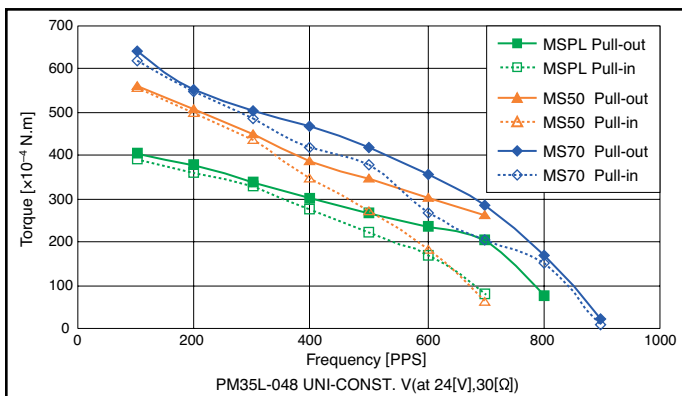
OA Equipment : Printers / Scanners

Industrial equipment : Flow control valves

Automotive : Motors / Optic axis control device

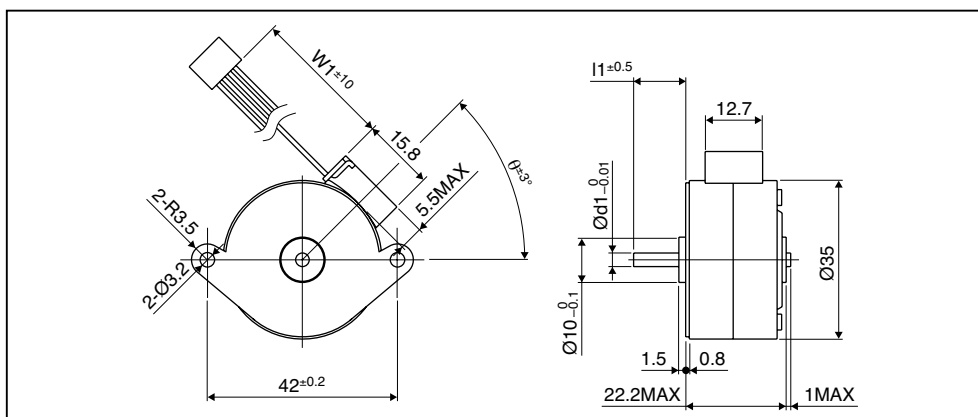
Home automation appliances : Sewing machines

Torque Characteristics



These torque values are reference only. Heat radiation conditions and temperature rise effect by duty are different on each equipment, therefore please select motors after considering the actual equipment.

Dimensions





PM Type
Motors

Reference Characteristics

Motor Size	PM35S — 048	
Number of Steps per Rotation	48 (7.5° / Step)	
Drive Method	2 — 2 PHASE	
Drive Circuit	UNIPOLAR CONST. VOLT.	BIPOLAR CHOPPER
Drive Voltage	24 [V]	24 [V]
Current / Phase		500 [mA]
Coil Resistance / Phase	50 [Ω]	6.6 [Ω]
Drive IC	25C3346	UDN2916B — V
Magnet Material	Ferrite plastic magnet (MSPL)	
	Polar anisotropy ferrite sintered magnet (MS50)	
	Nd-Fe-B bonded magnet (MS70)	
Insulation Resistance	100M [Ω] MIN	
Dielectric Strength	AC 500 [V] 1 [min]	
Class of Insulation	CLASS E (U — except lead wire)	
Operating Temp.	- 10 [°C] ~ 50 [°C]	
Storage Temp.	- 30 [°C] ~ 80 [°C]	
Operating Hum.	20 [%] RH ~ 90 [%] RH	

Applications

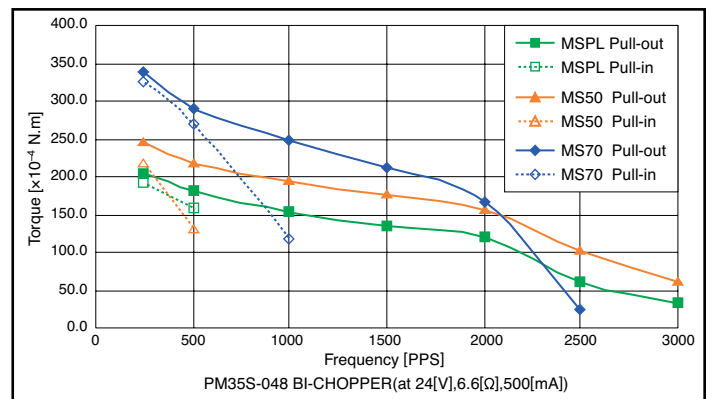
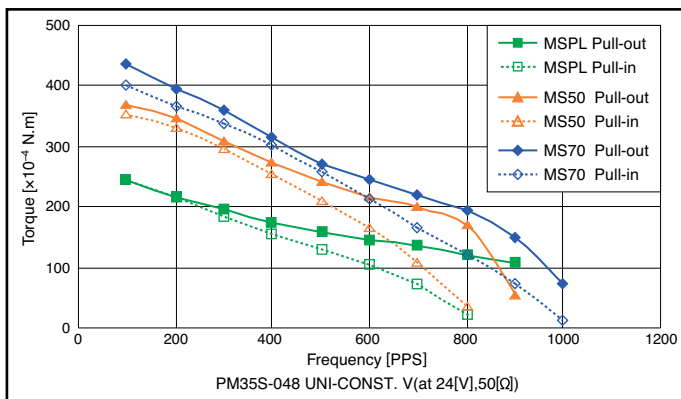
OA Equipment : Printers / Scanners

Industrial equipment : Flow control valves

Automotive : Motors / Optic axis control device

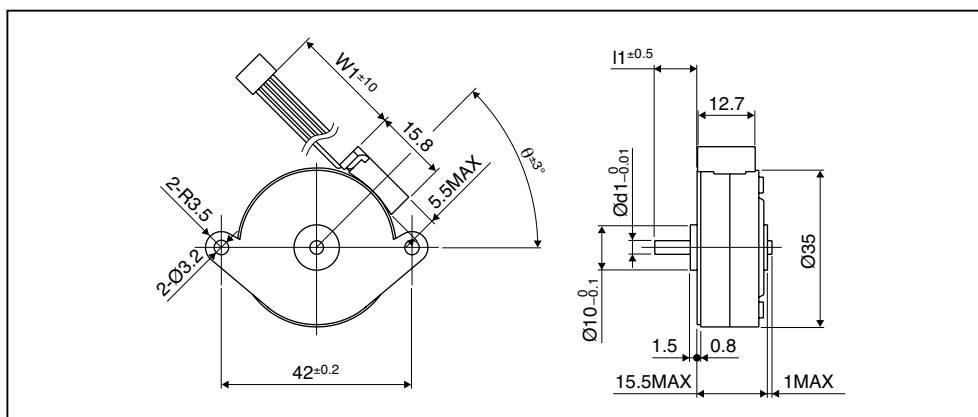
Home automation appliances : Sewing machines

Torque Characteristics



These torque values are reference only. Heat radiation conditions and temperature rise effect by duty are different on each equipment, therefore please select motors after considering the actual equipment.

Dimensions



Please contact our sales for inventory and lot information. Specification may be changed without notice.



PM Type
Motors

Reference Characteristics

Motor Size	PM35S—F48
Number of Steps per Rotation	48 (7.5° / Step)
Drive Method	2 — 2 PHASE
Drive Circuit	BIPOLAR CHOPPER
Drive Voltage	24 [V]
Current / Phase	500 [mA]
Coil Resistance / Phase	10.5 [Ω]
Drive IC	MTD2003
Magnet Material	Polar anisotropy ferrite sintered magnet (MS50)
Insulation Resistance	100M [Ω] MIN
Dielectric Strength	AC 500 [V] 1 [min]
Class of Insulation	CLASS E (U—except lead wire)
Operating Temp.	- 10 [°C] ~ 50 [°C]
Storage Temp.	- 30 [°C] ~ 80 [°C]
Operating Hum.	20 [%] RH ~ 90 [%] RH

Applications

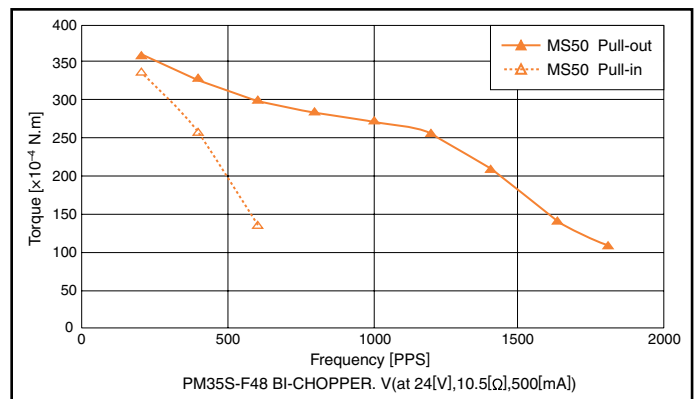
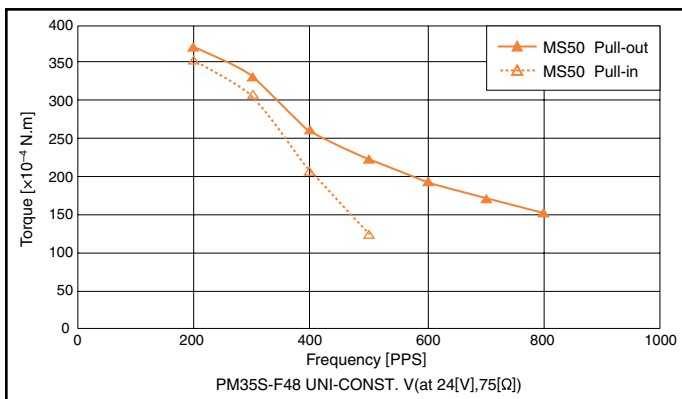
OA Equipment : Printers / Scanners

Industrial equipment : Flow control valves

Automotive : Motors / Optic axis control device

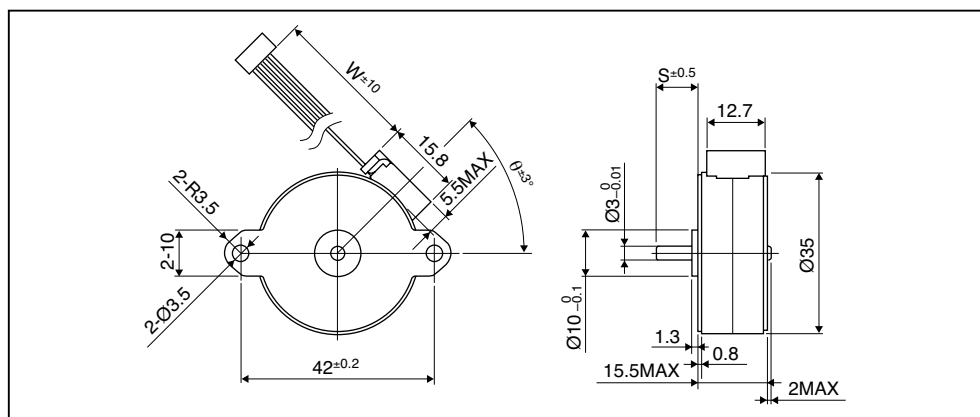
Home automation appliances : Sewing machines

Torque Characteristics



These torque values are reference only. Heat radiation conditions and temperature rise effect by duty are different on each equipment, therefore please select motors after considering the actual equipment.

Dimensions



Please contact our sales for inventory and lot information. Specification may be changed without notice.